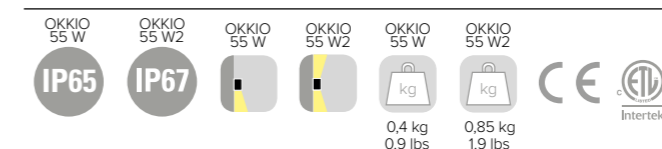
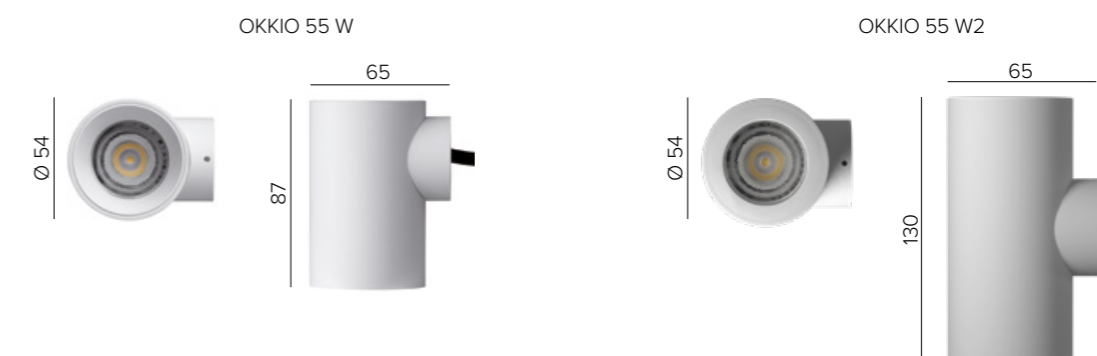


OKKIO 55 W / OKKIO 55 W2

SPECIFICATIONS

base code	66406 OKKIO 55 W - 66410 OKKIO 55 W2
typology	Wall mounting luminaire with light emission on one side (OKKIO 55 W) or two sides, direct light and indirect light (OKKIO 55 W2)
mounting	To wall using mounting plate
diameter	54 mm / 2.13"
height	OKKIO 55 W: 87 mm / 3.43" OKKIO 55 W2: 130 mm / 5.11"
depth	65 mm / 2.56"
construction	Fixture: turning and milling aluminum. Lens: PMMA. Protective glass or PMMA complete with silicone gasket
finishes	Powder coated
ingress protection	OKKIO 55 W: IP65. North America wet location. OKKIO 55 W2: IP67. North America wet location. Built-in protection from water infiltration and moisture
lamp type	LED array on printed circuit board. Remote power supply not included
lamp wattage	OKKIO 55 W: 6W at 48V DC and 500 mA. North America 6W at 24V DC and 5W at 350 mA OKKIO 55 W2: 10W (5W direct light and 5W indirect light) at 48V DC and 350 mA. North America 24V DC and 350 mA
lamp lumens	OKKIO 55 W: 630lm OKKIO 55 W2: 840lm
delivered lumens	OKKIO 55 W: 400lm (3000K CRI93, 36°) OKKIO 55 W2: 540lm (3000K CRI93, 36°)
lumen maintenance	50.000h L90
beam	16°, 36°, 45°
kelvin	2200K CRI80, 2200K CRI93, 2700K CRI93, 3000K CRI93 / 3 step MacAdam ellipse
special features	Unpolarized electronic system (24V DC: reverse polarity protection) - Safe wiring. 48V DC, 24V DC: Thermal Sensor - Two wires dimming - Water stop technology
dimming options	Push button, potentiometer, 0-10V, DALI, DMX, KNX. Dimming options depend on power supply and additional control units to be separately ordered as accessories
listings	CE, ETL listed for wet location



OKKIO 55 W2

OKKIO 55 W / OKKIO 55 W2

ORDER CODE

BASE CODE	A . POWER SUPPLY	B . KELVIN	C . BEAM
66406 OKKIO 55 W	8 48V DC EXCL. power supply	5 3000K CRI93	2 spot 16°
66410 OKKIO 55 W2	L 350/500 mA EXCL. power supply	8 2700K CRI93	4 flood 36°
	R listed 24V DC EXCL. power supply	D 2200K CRI93 (350/500 mA)	5 wide flood 45°
	U listed 350 mA EXCL. power supply	I 2200K CRI80 (24/48V DC)	

BASE CODE	A	B	C	D
Example: 66406	8	8	4	6 = 66406-8846

D . FINISHES	
6 white RAL 9003	A grey RAL 9006
F golden bronze 	Q anthracite RAL 7024



OKKIO 55 W / OKKIO 55 W2

ACCESSORIES

REQUIRED ACCESSORIES - NOT INCLUDED

	code	output power	input voltage / frequency	IP	dimensions mm
Power supply 48V DC ON/OFF*	69180	30W	90-264V	47-63Hz IP20	L160xW46xH30
	69181	40W	90-305V	47-63Hz IP67	L163xW43xH32
	69182	60W	90-305V	47-63Hz IP67	L163xW43xH32
Power supply 48V DC 1-10V ¹⁾ or ON/OFF* for ambient temperature up to 60° C	69185	40W	90-305V	47-63Hz IP67	L171xW62xH37
	69186	60W	90-305V	47-63Hz IP67	L171xW62xH37
	69187	100W	90-305V	47-63Hz IP67	L220xW68xH39
Power supply 48V DC DALI ¹⁾ for ambient temperature up to 60° C	69195	75W	100-305V	47-63Hz IP67	L180xW63xH36
	69196	100W	100-305V	47-63Hz IP67	L199xW63xH36
Power supply 48V DC 1-10V and DALI	69096	55W	99-264V	50-60Hz IP20	L129xW76xH30
Power supply 48V DC 0-10V	69097	120W	90-305V	47-63Hz IP67	L191xW63xH38
Power supply 500 mA max No. fixtures OKKIO 55 W only	69095	ON/OFF, 12W / max 1	90-264V	50-60Hz IP20	L115xW34xH19
	69091	1-10V, 20W / max 2	99-264V	50-60Hz IP20	L120xW52xH22
	69080	DALI, 20W / max 2	220-240V	50-60Hz IP20	L120xW52xH22
	69206	DALI, 24W / max 3	99-264V	50-60Hz IP67	L122xW54xH26
Power supply 350 mA max No. fixtures OKKIO 55 W2 only	69086	ON/OFF, 15W / max 1	90-264V	50-60Hz IP20	L115xW34xH19
	69090	1-10V, 18W / max 1	99-264V	50-60Hz IP20	L120xW52xH22
	69079	DALI, 15W / max 1	110-240V	50-60Hz IP20	L120xW52xH22
	69205	DALI, 17W / max 1	99-264V	50-60Hz IP67	L122xW54xH26

¹⁾for a perfect dimming, it is necessary that the power supply is saturated to 100%

Class 2 power supply
24V DC
350 mA

Consult **B LIGHT North America**
Lighting Group Network
T: 212.775.6363
E: info@lightinggroupnetwork.com