

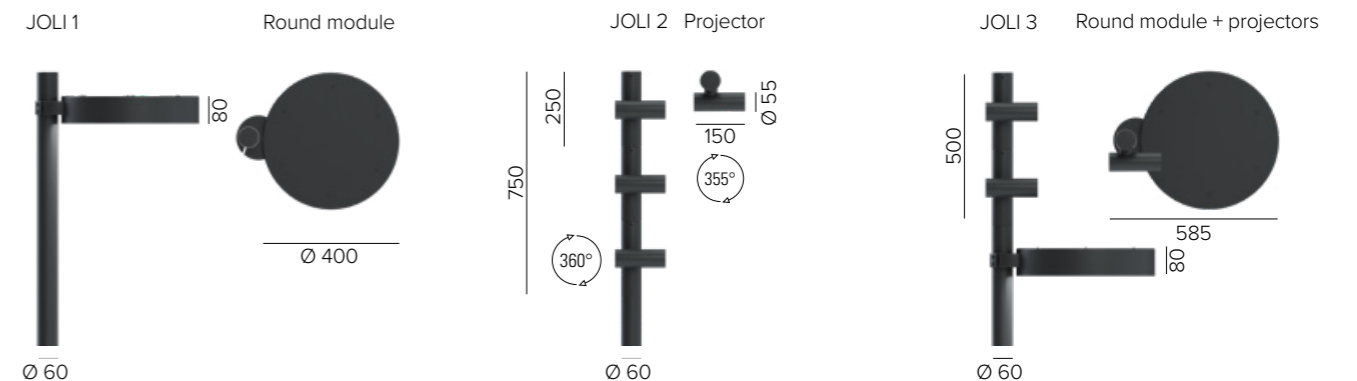


JOLI 1

JOLI

SPECIFICATIONS

base code	67735 JOLI 1 (pole with round module), 67741 JOLI 1 (round module only) 67738 JOLI 2 (pole with three projectors), 67744 JOLI 2 (one projector only) 67740 JOLI 3 (pole with one round module and two projectors)
typology	Pole-top luminaire with round module and/or projectors
mounting	In the ground
diameter	Pole: 60 mm / 2.36" Round module: 400 mm / 15.75" Projector: 55 mm / 2.17"
height	Pole: 4500 mm / 177.17" Round module: 80 mm / 3.15" Projector: 150 mm / 5.91". Projector module: 250 mm / 9.84"
construction	Pole: galvanized iron. Round module: iron Projector: turning and milling aluminum. Stainless steel A2 screws. Lens: PMMA. Protective glass complete with silicone gasket
finishes	Powder coated
ingress protection	JOLI 1, JOLI 3: IP65. North America wet location. JOLI 2: IP66. North America wet location. Built-in protection from water infiltration and moisture
lamp type	LED array on printed circuit board. Remote power supply not included
lamp wattage	JOLI 1: 40W at 48V DC - JOLI 2: 30W at 48V DC (10W per head) - JOLI 3: 60W at 48V DC (10W per head + 40W round module). North America JOLI 1: 40W at 24V DC - JOLI 2: 15W at 24V DC (5W per head) - JOLI 3: 50W at 24V DC (5W per head + 40W round module)
lamp lumens	Round module 4120lm. Projector: 10W 1100lm, 5W 550lm
delivered lumens	Round module 3280lm. Projector 10W 870lm, 5W 390lm
lumen maintenance	50.000h L90
beam	Round module: diffused. Projector 20°, 30°. Adjustable 355° on the horizontal plane and 360° on the vertical plane
kelvin	2200K CRI80 (JOLI 2 only), 2700K CRI93 or 3000K CRI93 / 3 step MacAdam
special features	JOLI 1: unpolarized electronic system - Two wires dimming – Diffuse and completely homogenous light distribution across the entire surface. JOLI 2, 48V DC: unpolarized electronic system. 24V DC: reverse polarity protection. Thermal Sensor - Safe wiring - Two wires dimming - Water stop technology
dimming options	Push button, potentiometer, 0-10V, DALI, DMX, KNX. Dimming options depend on power supply
certifications	CE, ETL listed for wet location



IP65	IP66	JOLI 1	JOLI 2	JOLI 3	Round module	Projector	Pole	CE	ETL
					6 kg 13 lbs	1 kg 2.2 lbs	20 kg 44 lbs		Intertek

JOLI 1

ORDER CODE

BASE CODE

67735 JOLI 1
(pole with round module)



67741 JOLI 1
(round module only)



A. POWER SUPPLY

8 48V DC
EXCL. power supply

R listed
24V DC
EXCL. power supply

B. KELVIN

5 3000K CRI93

8 2700K CRI93

C. BEAM

A satin diffuser

Example: BASE CODE A B C D
67735 8 8 A Q = 67735-88AQ

D. FINISHES

Q anthracite
RAL 7024

JOLI 3

ORDER CODE

BASE CODE

67740 JOLI 3



A. POWER SUPPLY

8 48V DC
EXCL. power supply

R listed
24V DC
EXCL. power supply

B. KELVIN

4 4000K CRI93

5 3000K CRI93

8 2700K CRI93

C. BEAM

Projector

2 spot 20°

4 flood 30°

Example: BASE CODE A B C D E
67740 8 8 1 1 A = 67740-881QA

D. FINISHES

Q anthracite
RAL 7024

E. LENS

A honeycomb **B** clear

JOLI 2

ORDER CODE

BASE CODE

67738 JOLI 2
(pole with three projectors)



67744 JOLI 2
(one projector only)



A. POWER SUPPLY

8 48V DC
EXCL. power supply

R listed
24V DC
EXCL. power supply

B. KELVIN

5 3000K CRI93

8 2700K CRI93

I 2200K CRI80

C. BEAM

2 spot 20°

4 flood 30°

Example: BASE CODE A B C D E
67738 8 8 2 Q B = 67738-882QB

D. FINISHES

Q anthracite
RAL 7024

E. LENS

A honeycomb **B** clear

ACCESSORIES

REQUIRED ACCESSORIES - NOT INCLUDED

code	output power	input voltage / frequency	IP	dimensions mm
69182	60W	90-305V 47-63Hz	IP67	L163xW43xH32
69187	100W	90-305V 47-63Hz	IP67	L220xW68xH39
69186	60W	90-305V 47-63Hz	IP67	L171xW62xH37
69187	100W	90-305V 47-63Hz	IP67	L220xW68xH39
69195	75W	100-305V 47-63Hz	IP67	L180xW63xH36
69196	100W	100-305V 47-63Hz	IP67	L199xW63xH36
69096	55W	99-264V 50-60Hz	IP20	L129xW76xH30
69097	120W	90-305V 47-63Hz	IP67	L191xW63xH38

[†]for a perfect dimming, it is necessary that the power supply is saturated to 100%



Class 2 power supply 24V DC
Consult **B LIGHT North America**
Lighting Group Network
T: 212.775.6363
E: info@lightinggroupnetwork.com

code	description	dimensions mm
69842	IP68 connector, 1 IN - 1 OUT, 2 wires	W37xD22xH37
69847	IP68 connector, 1 IN - 2 OUT, parallel wiring, 2 wires	W45xD30xH17
69848	IP68 connector, 1 IN - 3 OUT, parallel wiring, 2 wires	W78xD30xH20

