

# ATRIA 60 WW / ATRIA 90 WW NEW



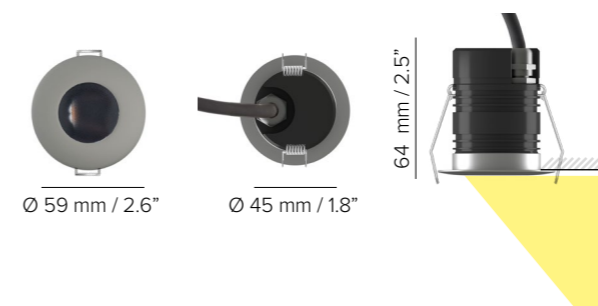
## SPECIFICATIONS

base code	ATRIA 60 WW: 66128 - ATRIA 90 WW: 66127
typology	Glare free trimmed wallwasher for exterior use
mounting	In plasterboard using springs (included)
diameter	ATRIA 60 WW: 59 mm / 2.3" - ATRIA 90 WW: 90 mm / 3.5"
height	ATRIA 60 WW: 64 mm / 2.5" - ATRIA 90 WW: 83 mm / 3.3"
required depth	ATRIA 60 WW: 75 mm / 2.9" - ATRIA 90 WW: 95 mm / 3.8"
ceiling cut out	ATRIA 60 WW: 48 mm / 1.9" - ATRIA 90 WW: 80 mm / 3.14"
construction	Fixture and flange: turning and milling aluminum. Reflector: polycarbonate. Protective glass or PMMA complete with silicone gasket
finishes	Powder coated
ingress protection	IP66. North America: wet location
lamp type	LED array on printed circuit board. Remote power supply not included
lamp wattage	ATRIA 60 WW: 3W at 24V DC. For Yacht operating voltage 20V-30V. ATRIA 90 WW: 8W at 24V DC
delivered lumens	ATRIA 60 WW: 140lm - ATRIA 90 WW: 470lm
lumen maintenance	50.000h L90
beam	<b>Pure wallwasher:</b> 5° - 75° towards the wall
kelvin	2200K CRI90, 2700K CRI93, 3000K CRI93 and 4000K CRI93 / 3 step MacAdam ellipse
special features	Reverse Polarity Protection. Thermal Sensor. Safe Wiring. Two Wires Dimming. Thanks to the design of the reflector, the luminaire offers longitudinal cut-off and delivers homogeneous light from the upper edge of the wall to the floor with no visible dark zones
control protocols	0-10V, DMX or DALI
certifications	CE, ETL listed (certified to UL 2108, CSA C22.2)

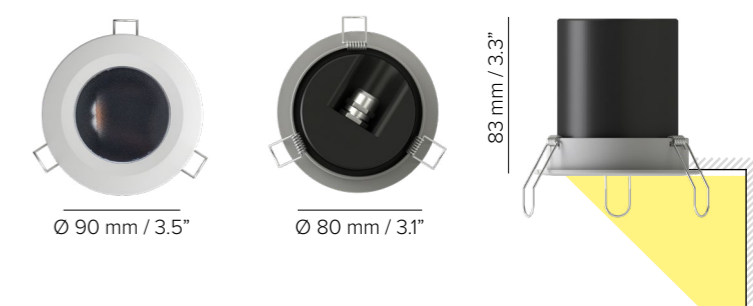


**ATRIA 90 WW**  
LIGHT IS CONVEYED PRECISELY TOWARDS THE WALL  
FROM THE UPPER EDGE TO THE LOWER EDGE

ATRIA 60 WW



ATRIA 90 WW



IP66

ATRIA 60 WW	ATRIA 90 WW	ATRIA 60 WW	ATRIA 90 WW	ATRIA 60 WW	ATRIA 90 WW	CE	ATRIA 60 WW	ATRIA 90 WW
75 mm / 2.95"	95 mm / 3.74"	48 mm / 1.89"	80 mm / 3.15"	0.2 kg / 0.4 lbs	0.5 kg / 1.1 lbs		APPROVAL PENDING Intertek	Intertek

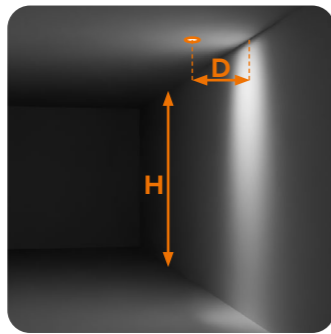
# ATRIA 60 WW / ATRIA 90 WW

## INSTALLATION GUIDE FOR ATRIA 60 WW

FOR A GOOD UNIFORMITY OF LIGHT ON THE WALL, FOLLOW THESE RULES:

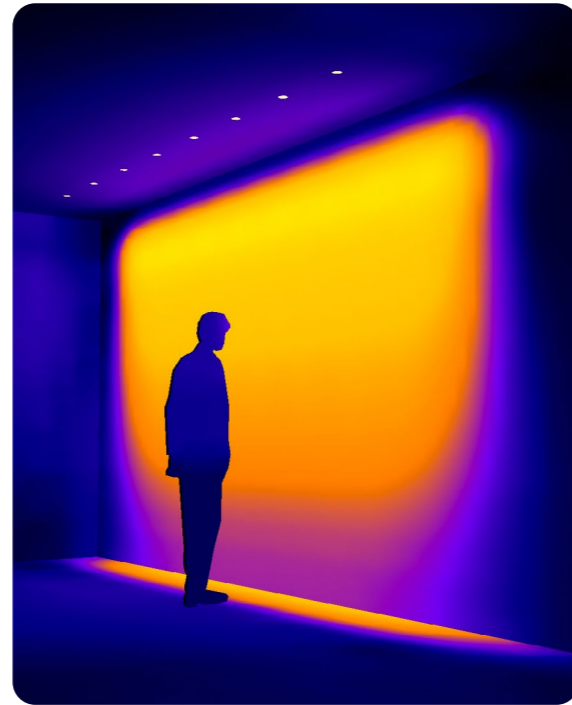
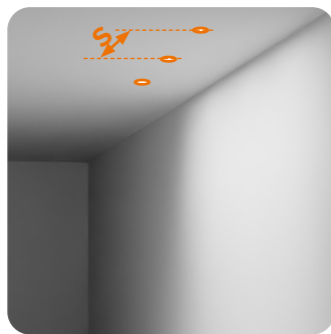
1

The **distance from the wall D** shall be  $H / 5$



2

The **spacing between luminaires S** shall be  $D \times 0,8$



20lx 50lx 100lx 200lx

Example

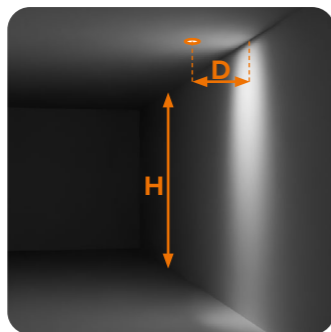
H	3 m / 9' 10"	D	$H / 5 = 0,6 \text{ m} / 24"$
S		S	$D \times 0,8 = 0,5 \text{ m} / 20"$

## INSTALLATION GUIDE FOR ATRIA 90 WW

FOR A GOOD UNIFORMITY OF LIGHT ON THE WALL, FOLLOW THESE RULES:

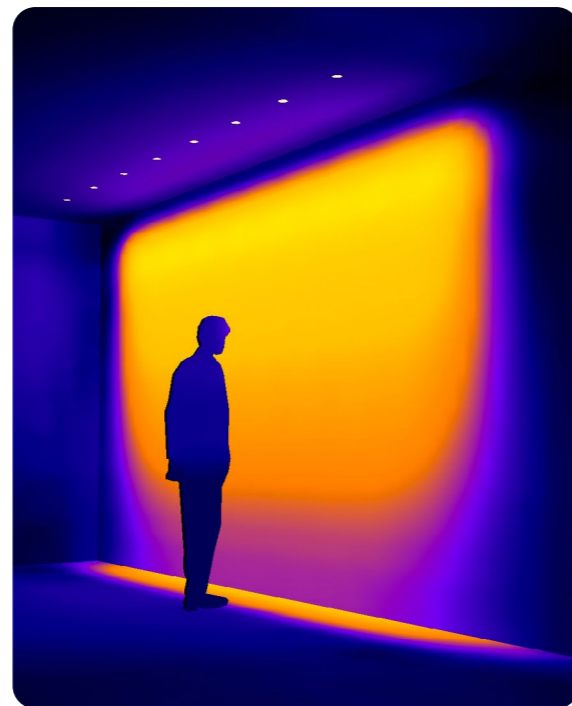
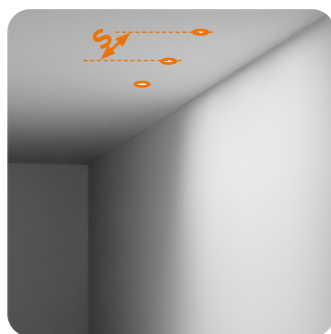
1

The **distance from the wall D** shall be  $H / 5$



2

The **spacing between luminaires S** shall be  $D \times 0,8$



20lx 50lx 100lx 200lx

Example

H	3 m / 9' 10"	D	$H / 5 = 0,6 \text{ m} / 24"$
S		S	$D \times 0,8 = 0,5 \text{ m} / 20"$

# ATRIA 60 WW

## ORDER CODE

### BASE CODE

66128

### A . POWER SUPPLY

- 9 24V DC (20V - 30V) power supply NOT included
- R listed 24V DC power supply NOT included

### B . KELVIN

- 4 4000K CRI93
- 5 3000K CRI93
- 8 2700K CRI93
- D 2200K CRI90

### C . BEAM

- W wallwasher

Example: BASE CODE 66128 A B C D 9 8 W 6 = 66128-98W6

### D . FINISHES

- 2 black RAL 9005

- 6 white RAL 9003

- A grey RAL 9006

## ACCESSORIES

### REQUIRED ACCESSORIES - NOT INCLUDED

Power supply	code	output power	input voltage / frequency	IP	dimensions mm	through cut out
24V DC*, ON/OFF ambient temperature up to 60° C	69061	40W	90-305V	47-63Hz IP67	L171xW62xH37	NO
	69062	60W	90-305V	50-60Hz IP67	L171xW62xH37	NO
	69063	100W	90-305V	50-60Hz IP67	L220xW68xH39	NO
24V DC*, DALI	69220	120W	90-305V	47-63Hz IP65	L191xW63xH38	NO
24V DC*, 0-10V	69215	60W	90-305V	47-63Hz IP65	L150xW53xH35	NO
Class 2 power supply 24V DC*  listed	Consult <b>B LIGHT North America</b> Lighting Group Network T: 212.775.6363 E: info@lightinggroupnetwork.com					


# ATRIA 90 WW

## ORDER CODE

BASE CODE	A . POWER SUPPLY	B . KELVIN	C . BEAM
<b>66127</b>	<b>9</b> 24V DC power supply NOT included  <b>R</b>  listed 24V DC power supply NOT included	<b>4</b> 4000K CRI93 <b>5</b> 3000K CRI93 <b>8</b> 2700K CRI93 <b>D</b> 2200K CRI90 <i>NORTH AMERICA ONLY</i> <b>I</b> 2200K CRI80	<b>W</b> wallwasher 
Example: BASE CODE <b>66127</b> A <b>9</b> B <b>8</b> C <b>W</b> D <b>6</b> = <b>66127-98W6</b>			
D . FINISHES			
<b>2</b> black RAL 9005 	<b>6</b> white RAL 9003 		
<b>A</b> grey RAL 9006 			

## ACCESSORIES

### REQUIRED ACCESSORIES - NOT INCLUDED

	code	output power	input voltage / frequency	IP	dimensions mm	through cut out
Power supply 24V DC*, ON/OFF ambient temperature up to 60°C	69061	40W	90-305V 47-63Hz	IP67	L171xW62xH37	YES
	69062	60W	90-305V 50-60Hz	IP67	L171xW62xH37	YES
	69063	100W	90-305V 50-60Hz	IP67	L220xW68xH39	YES
Power supply 24V DC*, DALI	69220	120W	90-305V 47-63Hz	IP65	L191xW63xH38	YES
Power supply 24V DC*, 0-10V	69215	60W	90-305V 47-63Hz	IP65	L150xW53xH35	YES
Class 2 power supply 24V DC*  listed	Consult <b>B LIGHT North America</b> Lighting Group Network T: 212.775.6363 E: info@lightinggroupnetwork.com					



**ATRIA 90 WW**  
**EXCELLENT VERTICAL UNIFORMITY:**  
 LIGHT IS CONVEYED PRECISELY TOWARDS THE WALL  
 FROM THE UPPER EDGE TO THE LOWER EDGE